

Swing Check Valve

Specifications

- Valves comply with EN16767, BS5153, API STD 594 or AWWA C508.
- Globe shape to provide full flow with low pressure drop.
- Suitable for mounting in horizontal and vertical position (with vertical flow upwards).
- Flanged to EN1092-2 PN10 or PN16, ANSI B16. 1 Class 125.
(Other Flange Types available on request)
- Rated Working Pressure
DN50 to DN300: 25 bar or 300 psi
DN350 to DN600: 16 bar or 200 psi
- FIG:5101 Certificated to ANSI / NSF 61 & 372.

Corrosion Protection

- Internally and Externally Liquid Epoxy Painted or Fusion Bonded Epoxy powder coated (FBE).

Material Specification

Part	Material	EN Specification	ASTM Specification
Body	Gray Cast Iron	EN 1561 EN-GJL-250	A126 Class B
Cover	Gray Cast Iron	EN 1561 EN-GJL-250	A126 Class B
Side Plug	Brass	EN 12165 CuZn39Pb1	B124 C37700
Hinge Pin	Stainless Steel	EN 10088 X20Cr13	A276 Type 420
Hanger	Ductile Iron	EN 1563 EN-GJS-450-10	A536 Grade 65-45-12
Disc	Gray Cast Iron	EN 1561 EN-GJL-250	A126 Class B
Disc Trim	Bronze	EN 1982 CuSn5Zn5Pb5	B62 C83600
	Rubber	EN 681 EPDM or NBR	D2000
Body Trim	Bronze	EN 1982 CuALL0Fe2	B62 C83600
Gasket	Graphite	Non-Asbestos	Non-Asbestos

- Ductile Iron Body Available.
- Valve Bodies of 25 bar / 300 psi, DN350 and larger sizes are Ductile Iron.
- Other material types are available upon request.

Main Dimensions (mm/inch)

Size	DN50/2"	DN65/2.5"	DN80/3"	DN100/4"	DN125/5"	DN150/6"	DN200/8"
L	203/8.0	216/8.5	241/9.5	292/11.5	330/13.0	356/14.0	495/19.5
H	121/4.76	135/5.31	141/5.55	168/6.61	182/7.17	215/8.46	267/10.51

Size	DN250/10"	DN300/12"	DN350/14"	DN400/16"	DN450/18"	DN500/20"	DN600/24"
L	622/24.5	699/27.5	787/31.0	914/36.0	965/38.0	1016/40.0	1219/48.0
H	305/12.00	343/13.50	450/17.71	520/20.47	550/21.65	590/23.22	680/26.77

Notes

- Designs, materials and specifications shown are subject to change without notice due to the continuous development of our products.

Schematic

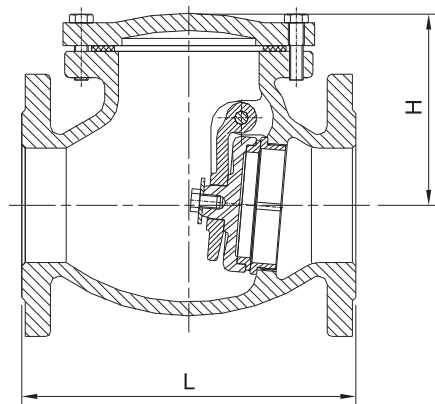
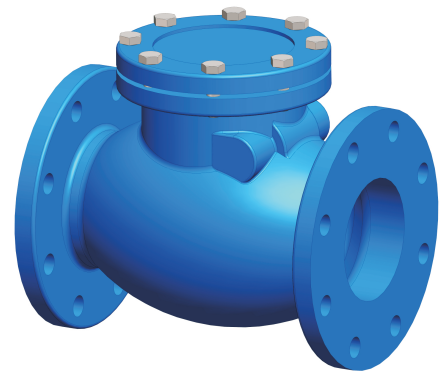


FIG. 5101 - Bronze Disc Trim
FIG. 5102 - Rubber Disc Trim