

Pressure Switch
WPS10-1 WPS10-2 WPS40-1 WPS40-2 WPS120-1 WPS120-2
FIG·WPS

Specifications

Features:

- Maximum Adjustment Pressure Range: WPS10-1/WPS10-2: 4-20psi; WPS40-1/WPS40-2: 10-100psi;WPS120-1/WPS120-2: 10-200psi.
- Factory Setting:
WPS10-1, WPS10-2: 4-8 psi ;
WPS40-1: operates at decreasing pressure at 30psi.
WPS40-2: operates at increasing pressure at 50 psi and decreasing pressure at 30 psi.
WPS120-1:operates at decreasing pressure at 110psi.
WPS120-2: operates at increase at 130 psi and decreasing at 110 psi.
- Approximate Differential:
WPS10-1/WPS10-2: 3 psi throughout range
WPS40-1/WPS40-2: 3 psi @ 10psi &6psi @ 100psi.
WPS120-1/ WPS120-2: 3 psi @10psi &9si @ 200psi.
- Contact rating: 10A@125/250VAC,
2.5A@ 30VDC.
- FM Approved,UL/ULC Listed.

Working Pressure

- 300 PSI

Working Temperature

- 0-60°C

Corrosion Protection

- Fusion Bonded Epoxy Coated Interior and Exterior or Enamel Spray Paint, Interior and Exterior.

Material Specifications

No.	Part Name	Material
1	Cover	Aluminum Alloy
2	Plate	Carbon Steel
3	Frame	Carbon Steel
4	Chamber Body	Plastic
5	Chamber Cap	Plastic
6	Adjusting Nut	Plastic
7	Rod	Plastic
8	Microswitch	Assembly
9	Gasket	Rubber
10	Spring	Stainless Steel

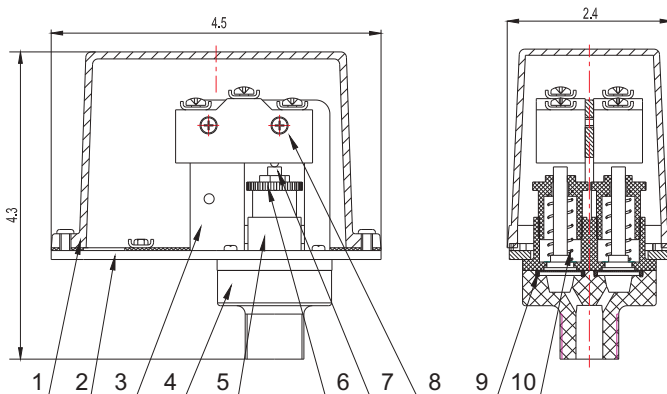
Notes :

Design and material are subject to change without notice.

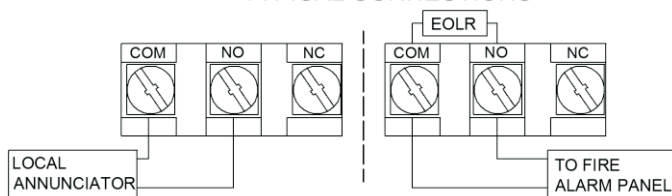
Schematic



outgoing incoming
An uninsulated section of a single conductor should not be looped around the terminal and serve as two separate connections



TYPICAL CONNECTIONS



The designs, materials and specifications shown are subject to change without notice due to the continuous development of our products.