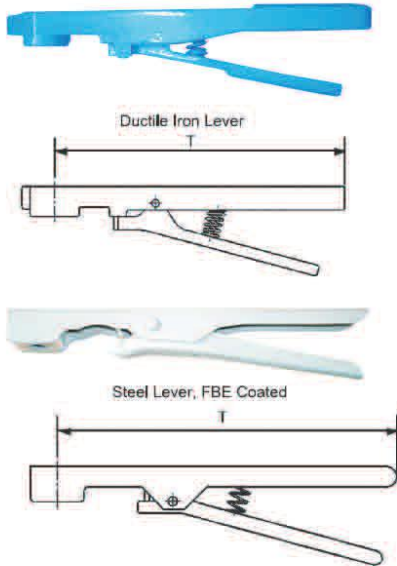


## Lever and Gear Operator

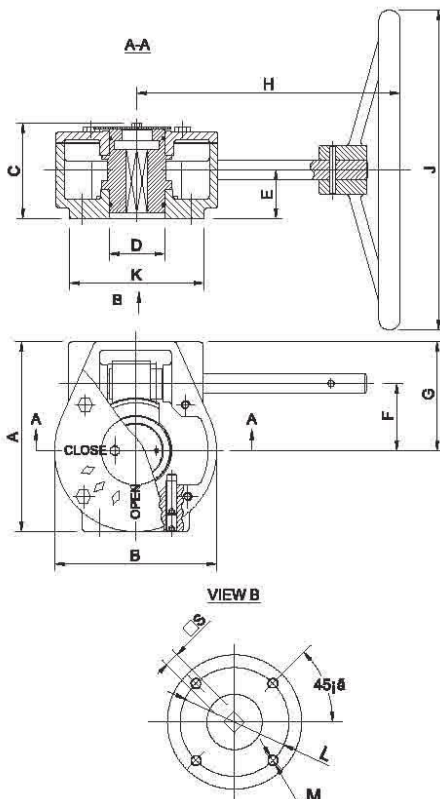


### Dimensions (mm)

Valve Size	Part Number	T
DN50-DN150	2000-S	263
DN200	2000-M	326
DN250-DN300	2000-L	415

### Dimensions (mm)

Valve Size	Part Number	T
DN50-DN150	2000-S	260
DN200	2000-M	325
DN250-DN300	2000-L	400



### Dimensions (mm)

Fig. No.	A	B	C	D	E	F	G
2000-24	126	Φ105	65	Φ48	32.5	45	73
2000-30	178	Φ152	83	Φ48	40.5	66	100
2000-50	197	Φ161	90	Φ70	48	78	116
2000-80	279	Φ253	120	Φ85	63	120	154.5
2000-70	300	Φ265	121	Φ120	56	126	167

Fig. No.	H	J	Dimensions of Connection				
			K	L	M	S	
2000-24	162	Φ186	Φ90	Φ70	4-M8	□11/14/17	
2000-30	246	Φ294	Φ125	Φ102	4-M10	□17/22	
2000-50	236	Φ294	Φ150	Φ102	4-M10	□22	
				Φ125	4-M12		
2000-80	272	Φ387	Φ175	Φ140	4-M16	□27	
2000-70	246	Φ387	Φ210	Φ165	4-M20	Φ48 (Round)	

### Performance Data

Fig. No.	2000-24	2000-30	2000-50	2000-80	2000-70
Valve Size	50-150	200-250	300-350	400-450	500-600
Ratio	24:1	30:1	50:1	80:1	70:1
Output Torque Max. (N.m)	270	700	1200	2000	4500

### Materials Specifications

Part Name	Material	EN Spec.	ASTM Spec.
Housing	Cast Iron	EN-JL 1040	A126 Class B
Cover	Cast Iron	EN-JL 1040	A126 Class B
Worm	Carbon Steel	EN-JS 1050	AISI 1045
Worm Gear	Ductile Iron	BS970 060A47	A536 65-45-12
Shaft	Carbon Steel	BS970 060A47	AISI 1045
Handwheel	Cast Iron	EN-JL 1040	A126 Class B

The designs, materials and specifications shown are subject to change without notice due to the continuous development of our products.