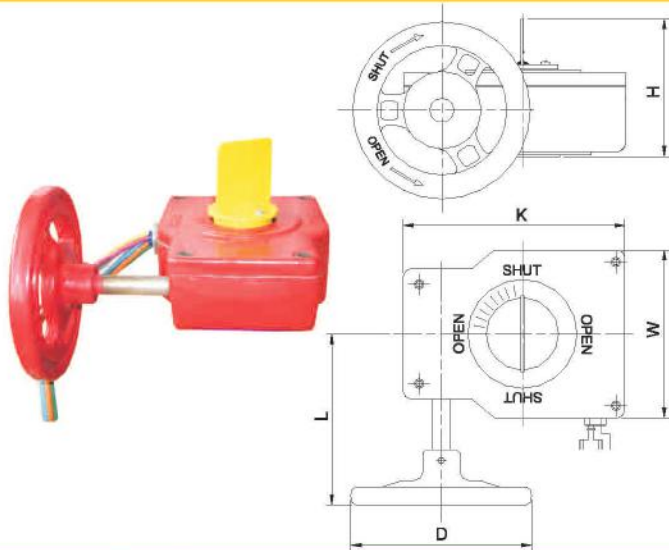


Gear Actuator with Tamper Switch



Dimensions (mm)

Valve Size	Part Number	H	D	L	K	W
DN50-DN150	S2000-40	100	120	115	145	110
DN200-DN300	S2000-50	115	170	162	200	165

Materials Specifications

Part Name	Material	EN Spec.	ASTM Spec.
Housing	Cast Iron	EN-JL1040	A126 Class B
Cover	Cast Iron	EN-JL1040	A126 Class B
Worm	Carbon Steel	BS970 060A47	AISI 1045
Worm Gear	Ductile Iron	EN-JS1050	A536 65-45-12
Shaft	Stainless Steel	BS970 420S37	AISI 420
Handwheel	Cast Iron	EN-JL1040	A126 Class B

Design Requirements

WEFLO butterfly valves should be connected to the piping system with approved couplings or flanges. Flow may be from either directions, and the valves can be installed in any direction. WEFLO butterfly valves have been designed with a slow close handwheel operator, which effectively minimizes water hammer. These valves feature minimum flow restriction and pressure loss when in the fully open position.

Installation

When the valves are received from the manufacturer they should be handled carefully to avoid breakage and damage to the seating area. Before installation of the valves, clean piping, flanges and coupling. When the valves close hard, it is usually due to debris lodged in the seating area. Often this may be corrected by backing of the handwheel and closing again. The valve should never be forced to seat by applying a wrench to the handwheel as this may distort the valve components or score the seating surface. Care must be taken to align wafer valves correctly so that the disc operation to the fully open position will not be obstructed. The use of excessive force to open or close the valve violates all warranties whether express or implied. The inlet and outlet pipe adjacent to the valve should be properly supported to prevent excessive stress on the valve body. The valve should not be used to force a pipeline into position as this may result in distortion of the valve body.

Care and Maintenance

WEFLO butterfly valves require no regular maintenance, however, it is advisable to inspect and verify proper operation of the unit annually or in accordance with the requirements of the authority having jurisdiction. The inspection should include a visual check for leakage at the valve pipe connection and body to operator connection. Inspection and maintenance should be performed by a qualified inspection service.

Switch Installation

WEFLO butterfly valves are provided with internal supervisor position switch. The tamper switch operates by a cam connected to the valve stem. The switch will change position and close with two (2) full turns of the handwheel from the fully open position.

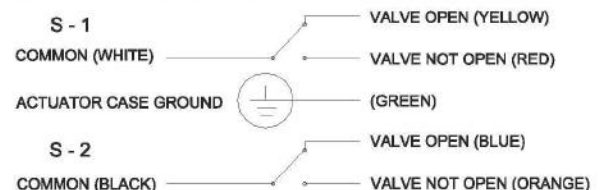
Switch 1#

For connection to the supervisory circuit
Normally Open: 1 Yellow
Normally Closed: 1 Red
Common: 1 White

Switch 2#

Auxiliary switch connected per authority
Normally Open: 1 Blue
Normally Closed: 1 Orange
Common: 1 Black
Ground Lead: 1 Green

Switch Wire Option



The designs, materials and specifications shown are subject to change without notice due to the continuous development of our products.