

Double Orifice Air Relief Valve
Size DN50–DN200 PN16

FIG · 9101A

Specifications

- Dual air release vent the accumulated small volumes of air during normal system operation.
- Allow inflow of large volumes of air during draining of the pipeline.
- Allow venting of large volumes of air during filling of the pipeline.
- Provide protection from pipeline collapse due to vacuum.
- With flange EN1092–2 PN16 (Other types are available on request).

Working Pressure

- 16 bar.

Working Temperature

- -10°C to 120°C.

Corrosion Protection

- Internally and externally liquid epoxy painted or fusion bonded epoxy powder coated (FBE).

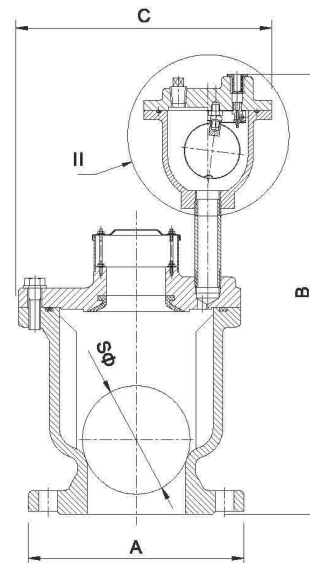
Notes:

Design and material are subject to change without notice.

Material Specifications

Part Name	Material	EN Spec.	ASTM Spec.
Body	Cast Iron	EN-JL 1040	ASTM A126 Class B
Cover	Cast Iron	EN-JL 1040	ASTM A126 Class B
Larger Ball	Stainless Steel	BS970 304S15	AISI 304
Small Ball	Stainless Steel	BS970 304S15	AISI 304
Gasket	EPDM/NBR	Commercial	Commercial
Cap	Stainless Steel	BS970 304S15	AISI 304
Screen	Stainless Steel	BS970 304S15	AISI 304

Schematic



Dimensions (mm)

Size	DN50	DN65	DN80	DN100	DN150	DN200
A	165	185	200	220	285	340
B	370	425	425	450	490	540
C	190.5	230	230	260	320	341
SΦ	65	94	94	110	150	150
II	1/2"	3/4"	3/4"	3/4"	3/4"	3/4"

The designs, materials and specifications shown are subject to change without notice due to the continuous development of our products.