

## Waterflow Detector Size 2"-8"

FIG-F6001

### Specifications

- Equipped with tamper resistant screws to prevent unauthorized entry.
- Two synchronized switches are enclosed in a durable terminal block. Terminals are easy to read and wire.
- Built-In mechanical time delay feature; minimizing the risk of false alarms due to pressure surges or air trapped in the system.
- Offers excellent performance during riser vibrations caused by large in-rushes of water.
- Designed and built for accuracy and repeatability.
- Flow sensitivity range: 4-10 GPM(15-38LPM).
- Contact rating: 8A@250VAC, 3A@24VDC, 2.5A@ 30VDC.
- UL/ULC Listed, FM Approved.
- COST Certified.

### Working Pressure

- 450 PSI

### Working Temperature

- 0-68°C

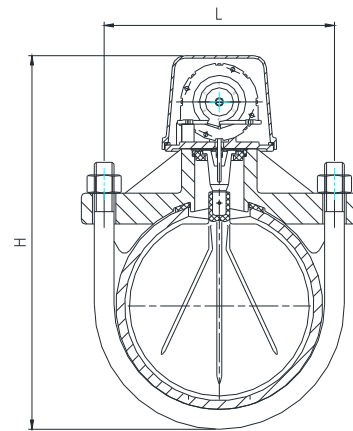
### Corrosion Protection

- Fusion Bonded Epoxy Coated Interior and Exterior or Enamel Spray Paint, Interior and Exterior.

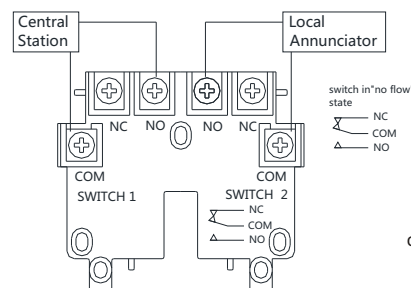
### Dimensions

Size	DN 65		DN 80	
	/mm	/inch	/mm	/inch
L	92	3.62	104	4.09
H	200	7.87	220	8.66
Nominal Pipe Size OD	73	2.87	88.9	3.50
Pipe Wall Thickness	3.05-5.16	0.12-0.20	3.05-5.49	0.12-0.22
Size	DN 100		DN 125	
	/mm	/inch	/mm	/inch
L	133	5.24	160	6.30
H	245	9.65	270	10.63
Nominal Pipe Size OD	114.3	4.50	141.3	5.56
Pipe Wall Thickness	3.05-6.02	0.12-0.24	3.40-6.55	0.13-0.26
Size	DN 150		DN 200	
	/mm	/inch	/mm	/inch
L	187	7.36	239	9.41
H	300	11.8	350	13.78
Nominal Pipe Size OD	168.3	6.63	219.1	8.63
Pipe Wall Thickness	3.40-7.11	0.13-0.28	3.76-8.18	0.15-0.32

### Schematic



### Typical Connections



outgoing → incoming  
An uninsulated section of a single conductor should not be looped around the terminal and serve as two separate connections

The designs, materials and specifications shown are subject to change without notice due to the continuous development of our products.