

-Waterflow Detector -Vane-Type with NPT Threads

FIG·F6001, Size 2"-8" FIG·F6001T, Size 1"-2"

Specifications

- Equipped with tamper resistant screws to prevent unauthorized entry.
- Two synchronized switches are enclosed in a durable terminal block. Terminals are easy to read and wire.
- Built-In mechanical time delay feature; minimizing the risk of false alarms due to pressure surges or air trapped in the system.
- Offers excellent performance during riser vibrations caused by large in-rushes of water.
- Designed and built for accuracy and repeatability.
- Flow sensitivity range: 4-10 GPM(15-38LPM).
- Contact rating: 8A@250VAC, 3A@24VDC, 2.5A@ 30VDC.

Working Pressure

- 450 PSI

Working Temperature

- 0-68°C

Corrosion Protection

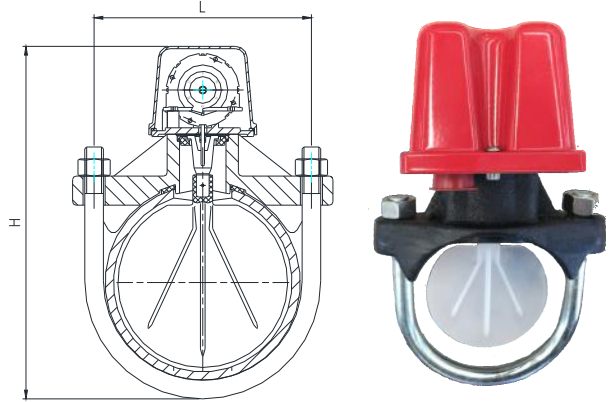
- Fusion Bonded Epoxy Coated Interior and Exterior or Enamel Spray Paint, Interior and Exterior.

- UL/ULC Listed, FM Approved. - GOST Certified.

F6001, size 2"-8"

Dimensions (mm)

Size	DN 65		DN 80		DN 100	
	/mm	/inch	/mm	/inch	/mm	/inch
L	92	3.62	104	4.09	133	5.24
H	200	7.87	220	8.66	245	9.65
Nominal Pipe Size OD	73	2.87	88.9	3.50	114.3	4.50
Pipe Wall Thickness	3.05-5.16	0.12-0.20	3.05-5.49	0.12-0.22	3.05-6.02	0.12-0.24
Size	DN 125		DN 150		DN 200	
	/mm	/inch	/mm	/inch	/mm	/inch
L	160	6.30	187	7.36	239	9.41
H	270	10.63	300	11.8	350	13.78
Nominal Pipe Size OD	141.3	5.56	168.3	6.63	219.1	8.63
Pipe Wall Thickness	3.40-6.55	0.13-0.26	3.40-7.11	0.13-0.28	3.76-8.18	0.15-0.32

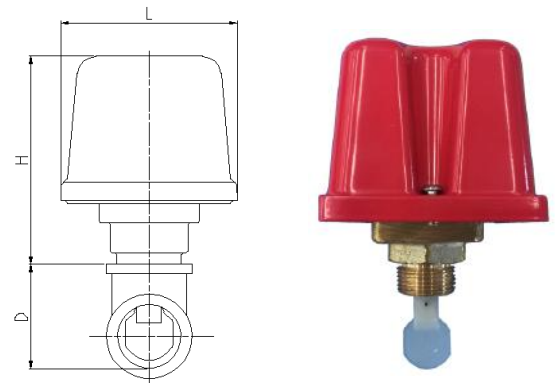


- UL/ULC Listed, FM Approved.

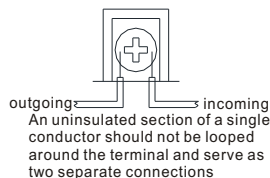
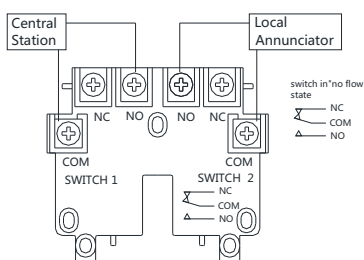
F6001T, Size 1"-2"

Dimensions(Inch)

Size	1"		1 1/4"	
	/mm	/inch	/mm	/inch
L	93.2	3.67	93.2	3.67
H	110	4.33	110	4.33
D(Depth)	53.8	2.12	62.5	2.46
Size	1 1/2"		2"	
	/mm	/inch	/mm	/inch
L	93.2	3.67	93.2	3.67
H	110	4.33	110	4.33
D(Depth)	68.8	2.71	81.8	3.22



Typical Connections



Material Specifications

Fig.	Saddle	Cover
F6001	Aluminium Alloy	Plastic
	DI, ASTM A536 65-45-12	Aluminium Alloy
F6001T	Copper Alloy	Plastic
		Aluminium Alloy

The designs, materials and specifications shown are subject to change without notice due to the continuous development of our products.