

Swing Check Valve Groove Ends, 300PSI

FIG · F0322-300

Specifications

- Full waterway design.
- Seating type is resilient material to bronze seat construction.
- Ductile iron disc, EPDM encapsulated.
- Groove Ends to AWWA C606 Standard or Metric Dimensions.
- UL/CUL Listed and FM Approved.
- GOST Certification.

Working Pressure

- 300PSI.
- 200PSI and 250PSI available on request.

Working Temperature

- -10°C to 82°C.

Corrosion Protection

- Fusion Bonded Epoxy Coated Interior and Exterior to AWWA C550 Standard.

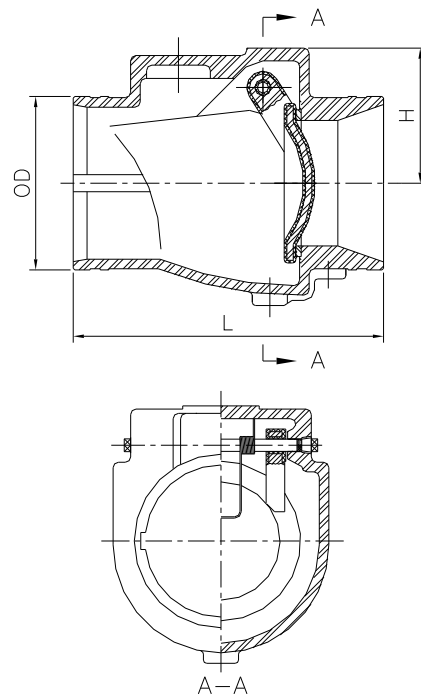
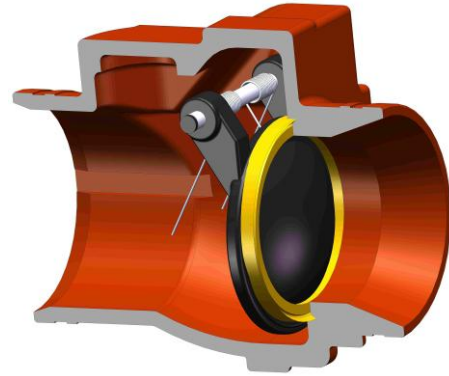
Notes:

Design and material are subject to change without notice.

Material Specifications

Part Name	Material	ASTM Spec.
Body	Ductile Iron	A536 65-45-12
Seat Ring	Bronze	B62 C83600
Disc	DI and Rubber Encapsulated	A536 65-45-12, EPDM
Spindle	Stainless Steel	AISI 316
Spring	Stainless Steel	AISI 304
Plug	Stainless Steel	AISI 304
Washer	Rubber	EPDM

Schematic



Dimensions (mm/inch)

Size	2"		2.5"		3"		4"		5"		6"		8"		10"		12"	
	mm	inch	mm	inch	mm	inch	mm	inch	mm	inch	mm	inch	mm	inch	mm	inch	mm	inch
OD	60.3	3/8	73.0	2-7/8	88.9	3-1/2	114.3	4-1/2	139.7	5-1/2	165.1	6-1/2	219.1	8-5/8	273.0	10-3/4	323.9	12-3/4
			76.1	3					141.3	6-9/16	168.3	6-5/8						
L	190.5	7-1/2	203	8	213	8-3/8	245	9-5/8	267	10-1/2	292	11-1/2	356	14	432	17	495	19-1/2
H	65.5	2-37/64	74.5	2-15/16	78	3-1/16	102	4	112	4-7/16	133.5	5-1/4	160	6-5/16	195	7-11/16	215	8-1/2

The designs, materials and specifications shown are subject to change without notice due to the continuous development of our products.