

Swing Check Valve Flange Ends, 300PSI

FIG · F0311-300

Specifications

- Complies with AWWA C508 Standard, clear waterway design.
- Seating type is resilient material to bronze seat construction.
- Two test plugs included – installed on one side of valve body.
- Flanges to ANSI B16.1 Class125 (Other flange types available upon request).
- UL/ULC Listed and FM Approved.
- GOST Certification.

Working Pressure

- 300PSI.
- 200PSI and 250PSI available on request.

Working Temperature

- -10°C to 82°C.

Corrosion Protection

- Fusion Bonded Epoxy Coated Interior and Exterior to AWWA C550 Standard.

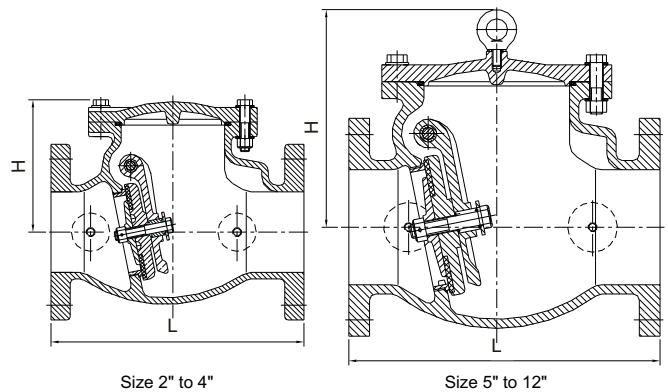
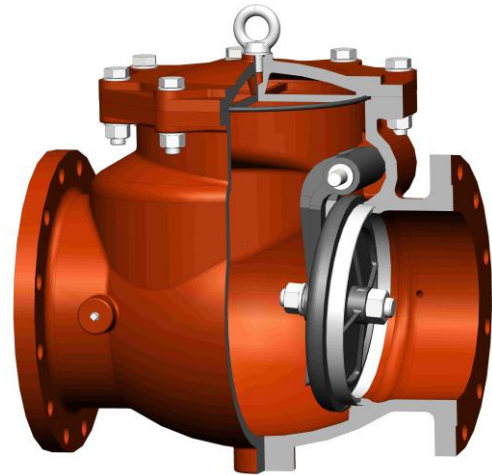
Notes:

Design and material are subject to change without notice.

Material Specifications

Part Name	Material	ASTM Spec.
Body	Ductile Iron	A536 65-45-12
Seat Ring	Bronze	B62 C83600
Disc Ring	Rubber	EPDM
Disc Ring Retainer	Ductile Iron	A536 65-45-12
Retainer Bolt	Stainless Steel	AISI 304
Disc	Ductile Iron	A536 65-45-12
Bonnet	Ductile Iron	A536 65-45-12
Gasket	Rubber	EPDM
Hinge Pin	Stainless Steel	AISI 304
Clapper Arm	Ductile Iron	A536 65-45-12
Pin Plug	Stainless Steel	AISI 304
NPT Plug	Malleable Iron	Commercial
Bonnet Bolts	Carbon Steel	A307 B
Eyebolt	Carbon Steel	A307 B

Schematic



Dimensions (mm / inch)

Size		2"	2.5"	3"	4"	5"	6"	8"	10"	12"
L	mm	203	254	279	330	356	406	495	559	660
	inch	8	10	11	13	14	16	19-1/2	22	26
H	mm	132	145	150	175	298	300	352	395	445
	inch	5-3/16	5-11/16	5-7/8	6-7/8	11-3/4	11-13/16	13-7/8	15-9/16	17-1/2
Weight (kg)		11	17	26	35	50	71	116	184	282

The designs, materials and specifications shown are subject to change without notice due to the continuous development of our products.