

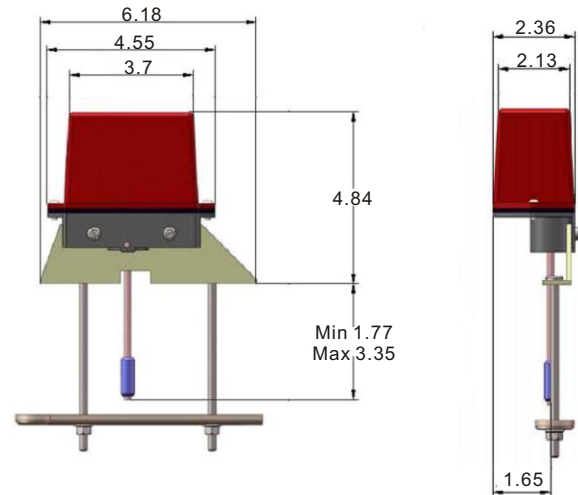
Supervisory Switch For Outside Screw and Yoke (OS&Y) Gate Valve

FIG·WOSY-1/WOSY-2 /WOSY-3

Features:

- Weight : 0.6 kg .
- Enclosure :
Cover: Die Cast
Finish: Red Powder Coat
Base: Die Cast
All parts have corrosion resistant finishes
- Cover Tamper:
Tamper Resistant Screws
Cover Tamper Switch Available
3Amps / 5 Amps at 125/250VAC
- Contact Ratings:
WOSY-1: One Set of SPDT
WOSY-2: Two Sets of SPDT
WOSY-3: Two Sets of SPDT and Cover Tamper Switch
10 Amps at 125/250 VAC
2.5 Amps at 30VDC Resistive
- Conduit Entrances:
One knockouts and one hole for ½ ” conduit provided
- Service Use: NFPA 13, 13D, 13R, 72.
- IP 67.
- UL/ULC Listed.
- FM Approved.

Schematic&Dimensions/Inch



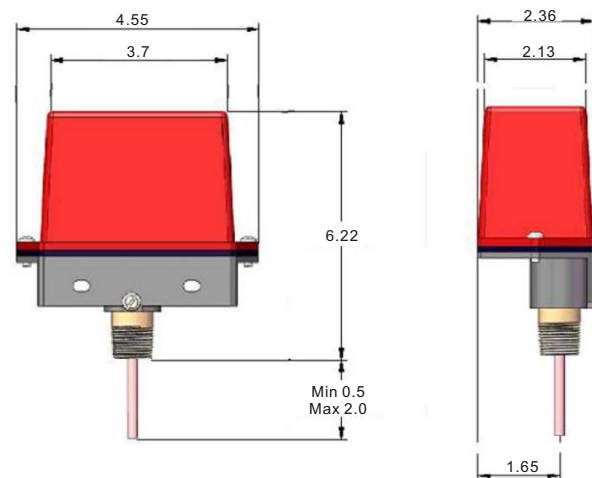
Supervisory Switch For Wall or Vertical Indicator Post

FIG·WIP-1/WIP-2 /WIP-3

Features:

- Weight : 0.45 kg.
- Enclosure :
Cover: Die Cast
Finish: Red Powder Coat
Base: Die Cast
All parts have corrosion resistant finishes
- Cover Tamper:
Tamper Resistant Screws
Cover Tamper Switch Available
3Amps / 5 Amps at 125/250VAC
- Contact Ratings:
WIP-1: One Set of SPDT
WIP-2: Two Sets of SPDT
WIP-3: Two Sets of SPDT and Cover Tamper Switch
10 Amps at 125/250 VAC
2.5 Amps at 30VDC Resistive
- Conduit Entrances:
One knockouts and one hole for ½ ” conduit provided
- IP 67.
- UL/ULC Listed.
- FM Approved.

Schematic&Dimensions/Inch



The designs, materials and specifications shown are subject to change without notice due to the continuous development of our products .