

## OS&Y Resilient Seated Gate Valve Flange Ends, 300PSI

### FIG · F0111 – 300

#### Specifications

- Complies with AWWA C515 Standard.
- Heavy duty handwheel and attachment nut.
- High quality graphite stem seal .
- NPT plug on body.
- Flanges to ANSI B16. 1 Class125. (Other flange types available upon Request)
- UL/ULC Listed and FM Approved.
- Certified to NSF/ANSI 61 & 372.
- GOST Certification.

#### Working Pressure

- 300PSI.
- 200PSI and 250PSI available on request.

#### Working Temperature

- -10°C to 82°C.

#### Corrosion Protection

- Fusion Bonded Epoxy Coated Interior and Exterior to AWWA C550 Standard.

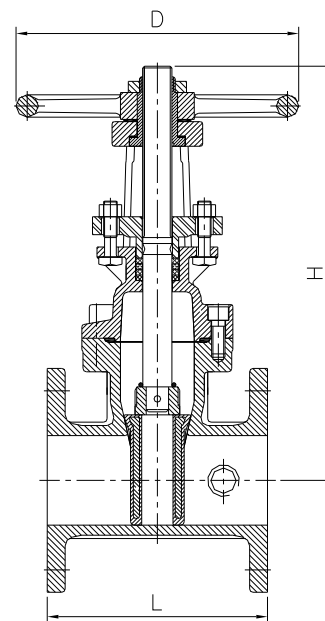
#### Notes:

- *Design and material are subject to change without notice.*
- *Stem Material: should be changed to SS304, option SS316 and other series 300 stainless steel, Bronze.*
- *BUNA-S (SBR) available for fracking waste water.*

#### Material Specifications

Part Name	Material	ASTM Spec.
Body	Ductile Iron	A536 65-45-12
Wedge	Ductile Iron, EPDM Encapsulated	
Wedge Nut	Stainless Steel	AISI 304
Stem	Stainless Steel	AISI 304
Bonnet	Ductile Iron	A536 65-45-12
Gasket	Rubber	EPDM
Packing	Graphite	Commercial
Gland	Ductile Iron	A536 65-45-12
Yoke Nut	Bronze	C95200
Handwheel	Ductile Iron	A536 65-45-12
Handwheel Nut	Ductile Iron	A536 65-45-12
NPT Plug	Malleable Iron	Commercial
Gland Bolt	Stainless Steel	AISI 316
Bonnet Bolt	Carbon Steel	A307 B

#### Schematic



#### Dimensions (mm/inch)

Size	2"		2.5"		3"		4"		5"		6"		8"		10"		12"	
	mm	inch	mm	inch	mm	inch	mm	inch	mm	inch	mm	inch	mm	inch	mm	inch	mm	inch
L	178	7	190.5	7-1/2	203	8	229	9	254	10	267	10-1/2	292	11-1/2	330	13	356	14
H (Open)	381	15	415	16-5/8	480	18-7/8	550	21-5/8	655	25-4/5	740	29-1/8	930	36-5/8	1130	44-1/2	1320	52
H (Close)	312	12-5/16	350	13-3/4	400	15-3/4	450	17-3/4	530	20-7/8	590	23-1/4	730	28-3/4	880	34-3/4	1020	40-1/6
D	184	7-1/4	184	7-1/4	254	10	254	10	305	12	305	12	356	14	445	17-1/2	445	17-1/2
Weight (kg)	16		20		25		30		42		50		77		120		170	

The designs, materials and specifications shown are subject to change without notice due to the continuous development of our products .