

NRS Resilient Seated Gate Valve Threaded Ends - 300PSI, Size 2"-3"

FIG. F1811-300

Specifications

- Manufactured to ANSI / AWWA C509 Standard
- Threaded Ends – National Pipe Thread (NPT). Other thread types available.
- Resilient Seated / EPDM Encapsulated DI Wedge.
- 2" Square Operating Nut or Hand Wheel (Optional).
- High Strength Ductile-Iron Construction.
- Stainless Steel Stem.
- UL / ULC Listed for size 2.5"-3".
- FM Approved.

Working Pressure

- 300PSI.
- 200PSI and 250PSI available on request.

Working Temperature

- -10 to 82°C

Corrosion Protection

- Fusion Bonded Epoxy Coated Internally and Externally to AWWA C550 Standard.
- 250 microns minimum coating thickness.

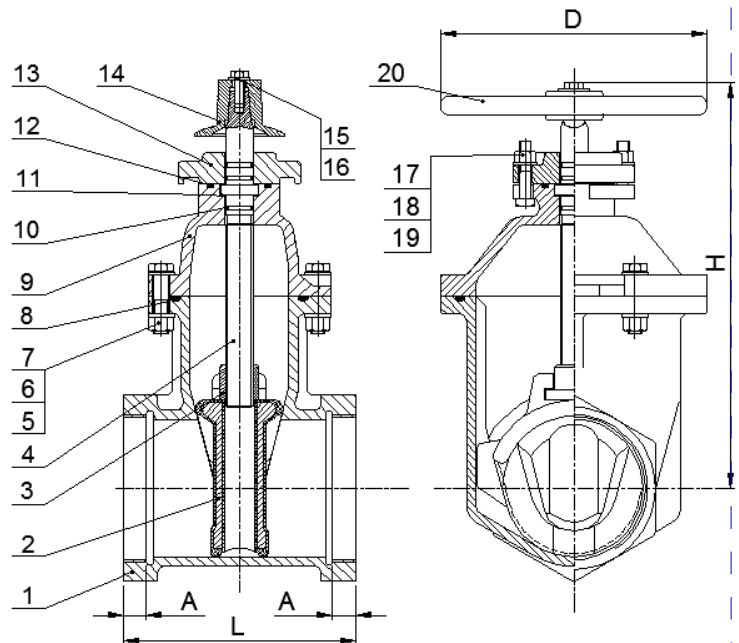
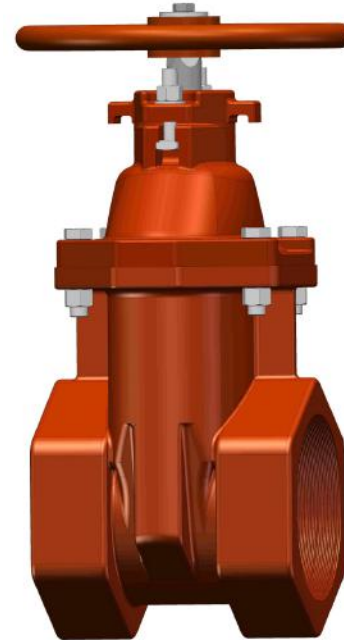
Material Specifications

No.	Part Name	Material
1	Body	Ductile Iron, A536 65-45-12
2	Wedge	Ductile Iron A536 65-45-12, EPDM Encapsulated
3	Wedge Nut	Bronze, C95200
4	Stem	Stainless Steel, SS304
5&6&7	Bolt & Washer & Nut	Stainless Steel, A2-70 & A2-70 & A4-70
8	O-Ring	NBR
9	Bonnet	Ductile Iron, A536 65-45-12
10	O-Ring	NBR
11	Thrust Washer	Bronze, C95200
12	O-Ring	NBR
13	Gland	Ductile Iron, A536 65-45-12
14	Operating Nut	Ductile Iron, A536 65-45-12
15&16	Bolt & Washer	Stainless Steel, A2-70 & A2-70
17&18&19	Bolt & Washer & Nut	Stainless Steel, A2-70 & A2-70 & A4-70
20	Handwheel	Ductile Iron, A536 65-45-12

Dimensions (inch)

Size	2"	2.5"	3"
L	7.0	7.5	8.0
H	9.5	10.0	11.0
D	7.2	7.2	10.0
A	0.9	1.1	1.2

Schematic



The designs, materials and specifications shown are subject to change without notice due to the continuous development of our products.