

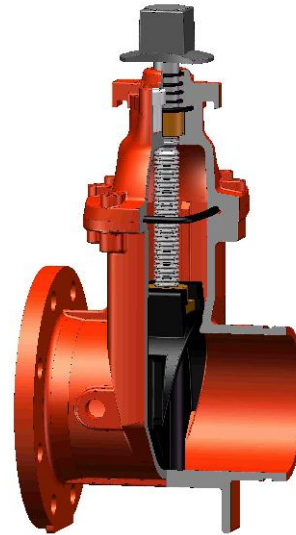
## NRS Resilient Seated Gate Valve Flange x Groove Ends, 300PSI

## FIG · F0212-300-FGR

### Specifications

- Manufactured to AWWA C515-15 Standard, Where Applicable.
- Non-Rising Stem.
- Triple O-rings stem seal.
- NPT plug on body.
- Flanges to ANSI B16.1 Class125. (Other types available upon Request) Grooved End to AWWA C606 Standard or Metric Dimensions.
- UL/ULC Listed 2.5"-12".
- FM Approved.
- GOST Certification.

### Schematic



### Working Pressure

- 300PSI.
- 200PSI and 250PSI available on request.

### Working Temperature

- -10°C to 82°C.

### Corrosion Protection

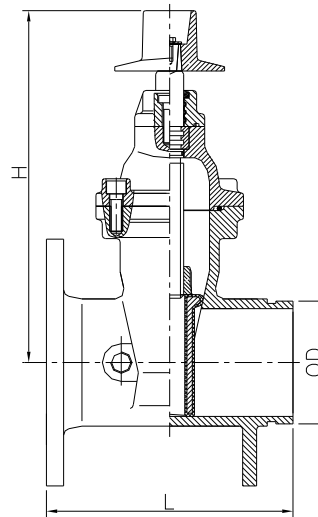
- Fusion Bonded Epoxy Coated Interior and Exterior to AWWA C550 Standard.

### Notes:

- *Design and material are subject to change without notice.*
- *Stem Material: should be changed to SS304, option SS316 and other series 300 stainless steel, Bronze.*
- *BUNA-S (SBR) available for tracking waste water.*

### Material Specifications

Part Name	Material	ASTM Spec.
Body	Ductile Iron	A536 65-45-12
Wedge	Ductile Iron, EPDM Encapsulated	
Wedge Nut	Bronze	C95200
Stem	Stainless Steel	AISI 304
Bonnet	Ductile Iron	A536 65-45-12
Gasket	Rubber	EPDM
Gland	Ductile Iron	A536 65-45-12
Thrust Collar	Bronze	C95200
O-ring	Rubber	NBR
Post Flange	Ductile Iron	A536 65-45-12
Operating Nut	Ductile Iron	A536 65-45-12
NPT Plug	Malleable Iron	Commercial
Post Flange Bolt	Stainless Steel	AISI 316
Bonnet Bolt	Carbon Steel	A307 B



### Dimensions (mm / inch)

Size	2"		2.5"		3"		4"		5"		6"		8"		10"		12"	
	mm	inch	mm	inch	mm	inch	mm	inch	mm	inch	mm	inch	mm	inch	mm	inch	mm	inch
OD	60.3	2-3/8	73.0	2-7/8	88.9	3-1/2	114.3	4-1/2	139.7	5-1/2	165.1	6-1/2	219.1	8-5/8	273.0	10-3/4	323.9	12-3/4
			76.1	3					141.3	6-9/16	168.3	6-5/8						
L	178	7	190.5	7-1/2	203	8	229	9	254	10	267	10-1/2	292	11-1/2	330	13	356	14
H	261.5	8-1/2	270	10-5/8	296	11-5/8	350	13-3/4	410	16-1/8	455	17-15/16	545	21-7/16	645	25-3/8	730	28-3/4
D	--	--	--	--	--	--	305	12	305	12	305	12	305	12	305	12	305	12
Weight (kg)	9.5		11.36		16.64		28.18		36.36		43.64		70.91		103.82		144.1	

The designs, materials and specifications shown are subject to change without notice due to the continuous development of our products .