

Grooved Butterfly Valve Gear Operated, 300PSI

FIG · F1022 – 300

Specifications

- Vulcanized disc design for bubble-tight shutoff at 300 psi.
- Flag type position indicator.
- Low torque operation, high cycle life.
- With built-in supervisory switch.
- Top flange to ISO 5211/1.
- Groove Ends to AWWA C606 Standard or Metric Dimensions.
- UL/ULC Listed .
- FM Approved for size 2"-8" .
- GOST Certification.

Working Pressure

- 300PSI.
- 200PSI and 250PSI available on request.

Working Temperature

- -10°C to 82°C.

Corrosion Protection

- Fusion Bonded Epoxy Coated Interior and Exterior to AWWA C550 Standard.

Notes:

Design and material are subject to change without notice.

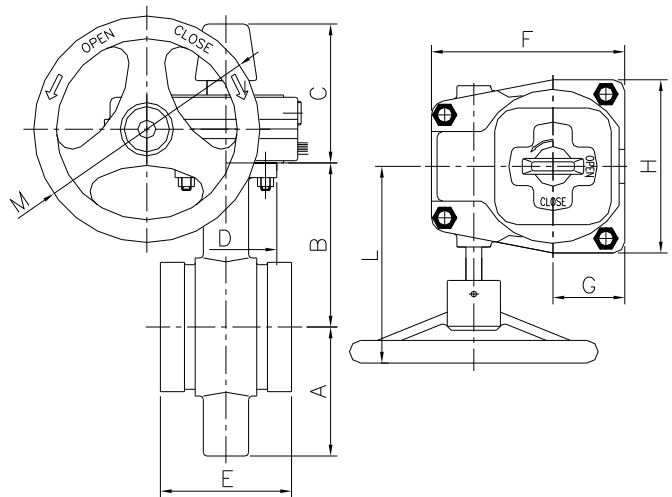
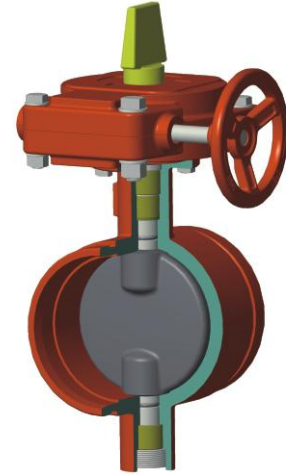
Material Specifications

Part Name	Material	ASTM Spec.
Body	Ductile Iron	A536 65-45-12
Wedge	Ductile Iron, EPDM Encapsulated	
Shaft	Stainless Steel	AISI 431
Bushing	Brass	C67400
Gearbox Housing	Cast Iron	A126 Class B
Gearbox Cover	Cast Iron	A126 Class B
Wormgear	Bronze	C62300
Worm	Stainless Steel	AISI 316
Handwheel	Cast Iron	A126 Class B

Dimensions (mm / inch)

Size	A	B	D	E	C	F	G	H	L	M
2"	77	99	90	84	120	170	65	155	150	200
	3.03	3.90	3.54	3.31	4.72	6.69	2.56	6.10	5.91	7.87
2.5"	85	112	90	97	120	170	65	155	150	200
	3.45	4.41	3.54	3.82	4.72	6.69	2.56	6.10	5.91	7.87
3"	90	115	90	97	120	170	65	155	150	200
	3.54	4.53	3.54	3.82	4.72	6.69	2.56	6.10	5.91	7.87
4"	108	145	90	116	120	170	65	155	150	200
	4.25	5.71	3.54	4.57	4.72	6.69	2.56	6.10	5.91	7.87
5"	120	139	90	148	120	170	65	155	150	200
	4.72	5.47	3.54	5.83	4.72	6.69	2.56	6.10	5.91	7.87
6"	145	185	90	148	120	170	65	155	150	200
	5.71	7.28	3.54	5.83	4.72	6.69	2.56	6.10	5.91	7.87
8"	180	200	125	133	160	225	85	206	200	300
	7.09	7.87	4.92	5.24	6.30	8.86	3.35	8.11	7.87	11.81
10"	230	250	125	159	160	225	85	206	200	300
	9.06	9.84	4.92	6.26	6.30	8.86	3.35	8.11	7.87	11.81
12"	260	275	125	165	160	225	85	206	200	300
	4.81	10.83	4.92	6.50	6.30	8.86	3.35	8.11	7.87	11.81

Schematic



Installation sheet for Gear Operator With Tamper Switch

Butterfly valves are provided with internal supervisory position switches. The tamper switch operates by a cam connected to the valve stem. The switch will change position and close within two (2) full turns of the hand wheel from the fully open position.

Switch #1:

For connection to the supervisory circuit

Normally closed: 2 Yellow

Normally open: 2 Red

Common: 2 White

Switch #2:

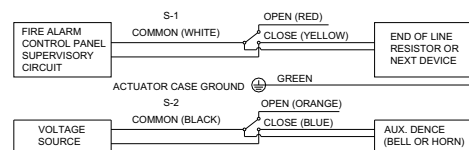
Auxiliary switch connected per authority

Normally closed: 1 Blue

Normally open: 1 Orange

Common: 1 Black

Ground Lead: 1 Green



Notes:
1. Item no. VISION 021 C2.
2. Rated: 10A 125-250VAC.

The designs, materials and specifications shown are subject to change without notice due to the continuous development of our products .