

Fire Hydrant

FIG · 8220

Specifications

- Complies with Russian Standard 53961- 2010.
- Full open distance 26mm.
- 13 Turns to Open / Close
- Low operating torque

Working Pressure

- 10 bar

Working Temperature

- -20°C to 82°C.

Corrosion Protection

- Internally and externally liquid epoxy painted.

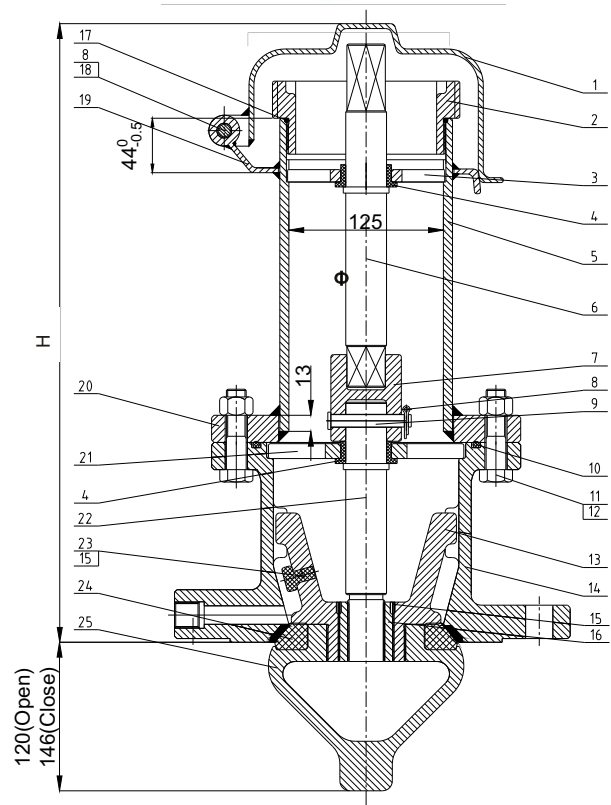
Notes:

Design and material are subject to change without notice.

Material Specifications

No.	Part Name	Material	EN Spec.	ASTM Spec.
1	Cap	Carbon Steel	C22E 070M20	AISI 1020
2	Nozzle	Brass	-	ASTM C69400
3	Guide Frame	Cast Steel	A1	ASTM 450-240
4	Guide Sleeve	PTFE	Commercial	Commercial
5	Steel Tube	Carbon Steel	C40E 080M46	AISI 1450
6	Upper Stem	Stainless Steel	BS970 420S37	AISI 420
7	Coupling	Ductile Iron	EN-JS 1050	A536 65-45-12
8	Cotter Pin	Carbon Steel	S235 JR	A570 Gr. A
9	Hinge Pin	Carbon Steel	C40E 080M46	AISI 1450
10	O- Ring	EPDM	Commercial	Commercial
11	Bolt	Carbon Steel Zn Plate	Carbon Steel Zn Plate Gr. 8. 8	
12	Nut	Carbon Steel Zn Plate	Carbon Steel Zn Plate Gr. 8. 0	
13	Disc Nut	Ductile Iron	EN-JS 1050	A536 65-45-12
14	Body	Ductile Iron	EN-JS 1050	A536 65-45-12
15	Fastening Screw	Carbon Steel	EN 2C45H	ASTM 4045H
16	Stem Nut	Brass	-	ASTM C69400
17	O- Ring	EPDM	Commercial	Commercial
18	Hinge Pin	Carbon Steel	C40E 080M46	AISI 1450
19	Connecting Plate	Carbon Steel	C22E 070M20	AISI 1020
20	Flagne	Cast Steel	A1	ASTM 450-240
21	Guide Frame	Ductile Iron	EN-JS 1050	A536 65-45-12
22	Lower Stem	Stainless Steel	BS970 420S37	AISI 420
23	Rubber	EPDM	Commercial	Commercial
24	Sealing Ring	EPDM	Commercial	Commercial
25	Disc	Ductile Iron	EN-JS 1050	A536 65-45-12

Schematic



Dimensions (mm)

H	500	750	1000	1250	1500	1750	2000	2250	2500	2750	3000	3250	3500
---	-----	-----	------	------	------	------	------	------	------	------	------	------	------

The designs, materials and specifications shown are subject to change without notice due to the continuous development of our products .