

Fire Hydrant DN80 BS750 Type II, PN16

FIG · 9207 / 9207W

Specifications

- Complies with BS750 Type II.
- Seating type is resilient material to DI integral seat.
- Flange drilled to DN80 EN1092-2 PN16 and BS10 Table E.
- 2-1/2" London Round Thread outlet. Other type outlets are available, such as 2-1/2" Instantaneous outlet, 2-1/2" Belfast V outlet and Dublin Bayonet outlet.
- Bottom drain connection.
- Fusion bonded epoxy coated interior and exterior.
- 9207W: WRAS approved.

Working Pressure

- 16bar.

Working Temperature

- -10°C to 120°C.

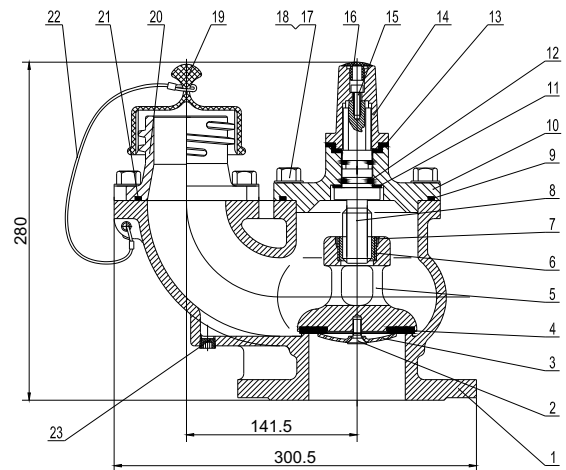
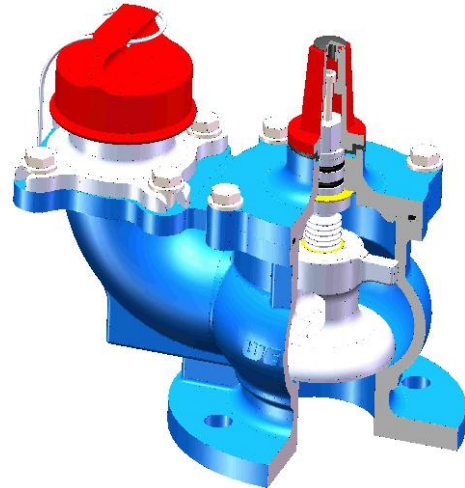
Corrosion Protection

- Internally and externally spray-painted or fusion bonded epoxy powder coated (FBE).

Notes:

Design and material are subject to change without notice.

Schematic



Material Specifications

No.	Part Name	ASTM Spec.	No.	Part Name	ASTM Spec.
1	Body	DI ASM A536 65-45-12	13	Cap Gasket	Plastic
2	Bolt	Stainless Steel AISI 304	14	Driver Cap	CI ASTM A126 Class B
3	Holder	Stainless Steel AISI 304	15	Bolt	Stainless Steel A4-70
4	Gasket	EPDM	16	Indicator Cap	Plastic
5	Disc	DI ASM A536 65-45-12	17	Bolt	Stainless Steel A4-70
6	Stem Nut	Brass ASTM B16 C36000	18	Washer	Stainless Steel AISI304
7	Screw	Steel	19	Dust Cap	Plastic
8	Stem	Stainless Steel AISI 420	20	Outlet	Brass ASTM B16 C36000
9	O-Ring	EPDM	21	O-Ring	EPDM
10	Cover	DI ASM A536 65-45-12	22	Rope	Stainless Steel
11	Washer	Copper	23	Plug	Plastic
12	O-Ring	EPDM			

The designs, materials and specifications shown are subject to change without notice due to the continuous development of our products.