

## Dry Pipe Valve, Vertical Trim Latched-Clapper Type Grooved Ends, 300PSI

FIG · F2522-300

### Specifications

- The Valve controls the water supply entry into the Pre-Action system piping and sprinklers. The system is normally supervised with pressurized air or nitrogen in order to detect any leaks in the system. Valve allows the water to operate a water motor alarm and/or electric pressure alarms, which continue until the flow of water stops.
- Groove to Metric or AWWA C606 standard.
- Valve must be installed in vertical position with the trim as shown.
- Groove to Metric or AWWA C606 standard.

### Working Pressure

- 300 PSI.
- 200 PSI and 250 PSI available on request.

### Working Temperature

- 0°C to 68°C for electrical signals.
- 4.4°C to 68°C for wet lead nozzle pipe.

### Corrosion Protection

- Internally and externally spray epoxy painted RAL3000.

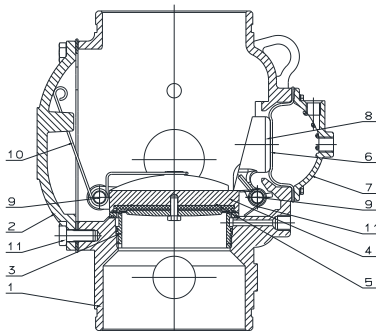
### Notes:

Design and material are subject to change without notice.

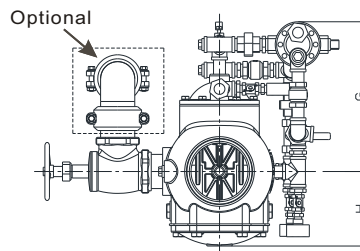
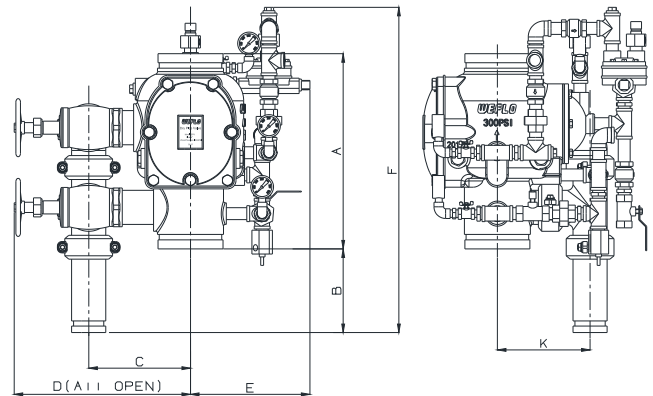
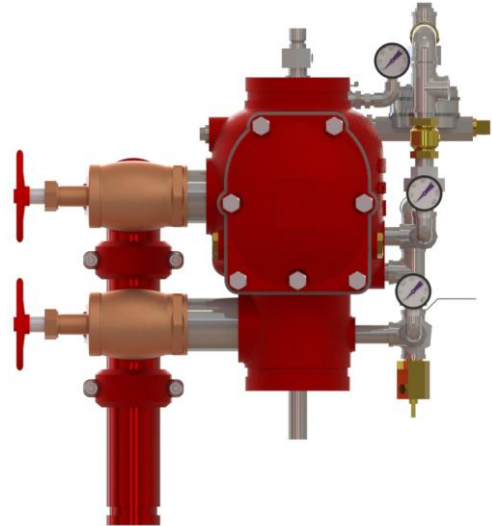
### Material Specifications

No.	Part Name	Material	ASTM Spec.
1	Body	Ductile Iron	A536 65-45-12
2	Cover	Ductile Iron	A536 65-45-12
3	Seat	Bronze	B62 C83600
4	Clapper	Bronze	C95500
5	Clapper Seal	Rubber	EPDM
6	Diaphragm	Rubber	EPDM
7	Diaphragm Cover	Ductile Iron	A536 65-45-12
8	Latch	Bronze	C95500
9	Pin	Stainless Steel	AISI 304
10	Spring	Stainless Steel	AISI 304
11	Bolt	Carbon Steel	A307B

### Schematic



### Schematic of Valve with Accessories



### Optional Accessories

- Water Motor Alarm.
- Alarm Pressure Switch.
- Drain Connection Kit.

### Dimensions (mm)

Size	A	B	C	D(Open)	E	F	G	H	K
(mm/inch)	(mm/inch)	(mm/inch)	(mm/inch)	(mm/inch)	(mm/inch)	(mm/inch)	(mm/inch)	(mm/inch)	(mm/inch)
DN 80/3"	298/11.73	150/5.91	150/5.91	300/11.81	210/8.27	560/22.05	265/10.43	120/4.72	150/5.91
DN 100/4"	343/13.50	150/5.91	180/7.09	350/13.78	210/8.27	575/22.64	265/10.43	135/5.31	170/6.69
DN 150/6"	405/15.94	165/6.50	205/8.07	375/14.76	250/9.84	625/24.61	290/11.42	175/6.89	180/7.09
DN 200/8"	445/17.52	165/6.50	240/9.45	415/16.34	275/10.83	650/25.60	308/12.13	190/7.48	180/7.09

The designs, materials and specifications shown are subject to change without notice due to the continuous development of our products.