

Bevel and Spur Gearbox

FIG · BGN/GBO/SGN

Dimensions

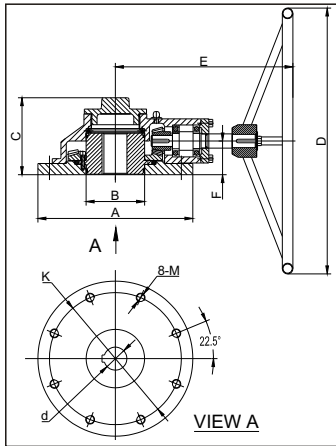


FIG.BGN–Bevel Gearbox for NRS Gate Valves

Fig. No.	BGN-3	BGN-4	BGN-6
A	Φ300	Φ350	Φ415
B	Φ90	Φ132	Φ137
C	140	165	191
D	Φ460	Φ600	Φ600
E	330	400	510
F	65	77	91
d	Φ65 Max.	Φ95 Max.	Φ100 Max.
K	Φ254	Φ298	Φ356
M	8-M16	8-M20	8-M30
Ratio	3:1	4.1:1	6:1
Output Torque Max.(N.m)	1350	2700	5400
For Valve Size	300-450	500-800	900-1500

Dimensions

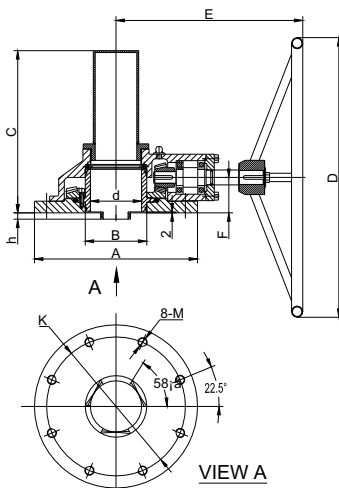


FIG.BGO–Bevel Gearbox for OS&Y Gate Valves

Fig. No.	BGO-3	BGO-4	BGO-6
A	Φ300	Φ350	Φ415
B	Φ90	Φ132	Φ137
C	DN+200	DN+200	DN+200
D	Φ460	Φ600	Φ600
E	330	400	510
F	65	77	91
d	Φ70 Max.	Φ105 Max.	Φ109 Max.
K	Φ254	Φ298	Φ356
M	8-M16	8-M20	8-M30
Ratio	3:1	4.1:1	6:1
Output Torque Max.(N.m)	1350	2700	5400
For Valve Size	300-450	500-800	900-1500

Dimensions

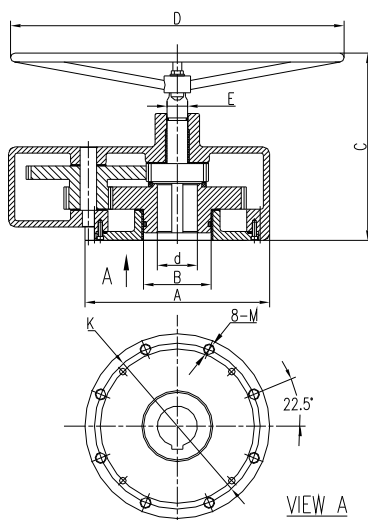


FIG.SGN–Spur Gearbox for NRS Gate Valves

Fig. No.	SGN-4.1	SGN-6.4	SGN-6.3
A	Φ300	Φ350	Φ415
B	Φ90	Φ110	Φ148
C	366	400	493
D	Φ500	Φ800	Φ1500
E	Φ38	Φ38	Φ42
d	Φ65 Max.	Φ80 Max.	Φ110 Max.
K	Φ254	Φ298	Φ356
M	8-M16	8-M20	8-M30
Ratio	4.1:1	6.4:1	6.3:1
Output Torque Max.(N.m)	1350	2700	5400
For Valve Size	300-450	500-800	900-1500

The designs, materials and specifications shown are subject to change without notice due to the continuous development of our products.