

## Basket Strainer Flange Ends, 200PSI

FIG. F1411-200

### Specification

- Screens are perforated 304 stainless steel with spot welded seam.
- Flange to ANSI B16.1 Class125, Other types available on request.
- Size 3"-6", plug at the bottom of body. size 8"-12", plug at the side of body.
- UL/ULC listed.
- GOST Certification.

### Working Pressure

- 200PSI

### Working Temperature

- -10°C to 120°C

### Corrosion Protection

- Internally and externally spray epoxy painted or fusion bonded epoxy powder coated (FBE).

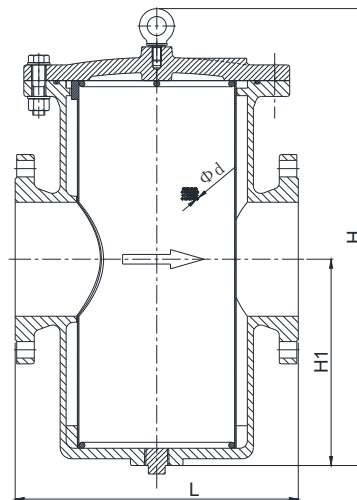
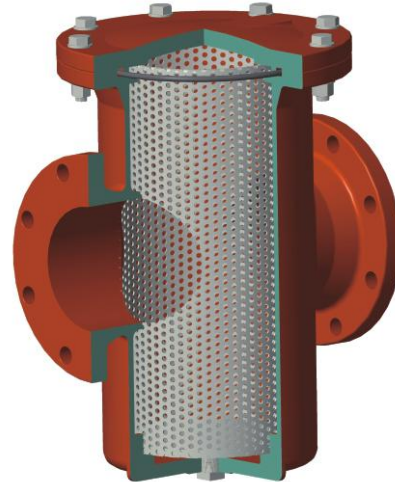
### Notes:

*Design and material are subject to change without notice.*

### Material Specification

Part Name	Material	ASTM Spec.
Body	Ductile Iron	A536 65-45-12
Cover	Ductile Iron	A536 65-45-12
Screen	Stainless Steel	AISI 304
O-Ring	Rubber	EPDM
Bolts	Carbon Steel	Gr. 8. 8
Nuts	Carbon Steel	Gr. 8. 0
Plug	Malleable Iron	Commercial
Hook	Carbon Steel	Gr. 4. 8

### Schematic

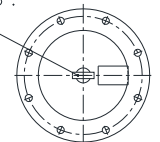


Eye Bolt Location:

1. Size 3": No Eyebolt.

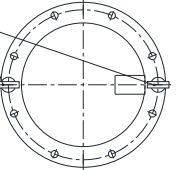
2. Size 4"-6":

1 - M12



3. Size 8"-12":

2 - M16



### Dimensions (mm / inch)

Size	DN80	DN100	DN125	DN150	DN200	DN250	DN300
L	250	292	340	378	475	560	680
H1	150	200	227	276	306	358	462
H	318	480	519	613	693	774	962
H0	589	838	918	1101	1268	1429	1801
d	3.2	3.2	3.2	3.2	3.2	3.2	3.2
Plug(NPT)	3/4"	1"	1"	1"	1-1/2"	1-1/2"	2"
Weight ( Kg )	Body	16.8	30	51.5	94.5	143.5	217.5
	Bonnet	5	9	16	26	41.5	54
	Screen	1	1.5	3.2	5	7.2	11
	Total	23	41.5	72.5	127.5	194	285.5

The designs, materials and specifications shown are subject to change without notice due to the continuous development of our products.