

Alarm Check Valve, Vertical Trim Flange × Groove Ends, 300PSI

FIG · F1512-300

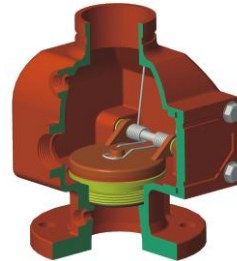
Specifications

- Valve must be installed in vertical position with the trim as shown. Any deviation may affect the proper operation of the valve.
- Flange designed to EN1092-2 PN10/16, ANSI B16.1 Class 125 or BS10 Table D/E (Other types available on request).
- UL/ULC listed and GOST Certification.
- FM Approved (sizes through 6" / 150mm).

Material Specifications

No.	Part Name	Material	ASTM Spec.
1	Body	Ductile Iron	A536 65-45-12
2	Cover	Ductile Iron	A536 65-45-12
3	Gasket	Rubber	EPDM
4	Bolt	Carbon Steel	A307B
5	Stem	Stainless Steel	AISI 304
6	Spring	Stainless Steel	AISI 304
7	Disc	Ductile Iron	A536 65-45-12
8	Disc Ring	Rubber	EPDM
9	Seat	Bronze	B62 C83600
10	Retainer	Brass	B16 C36000
11	Bolt	Stainless Steel	A2-70

Schematic



Working Pressure

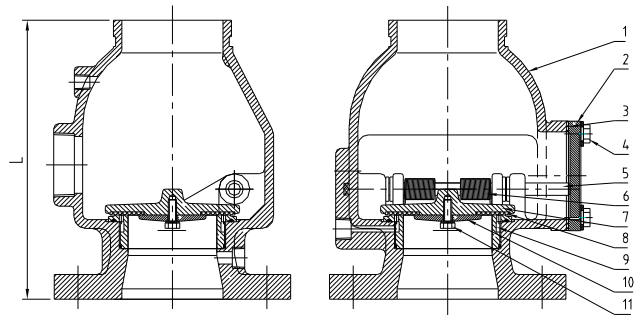
- 300PSI.

Working Temperature

- 0°C to 68°C.

Corrosion Protection

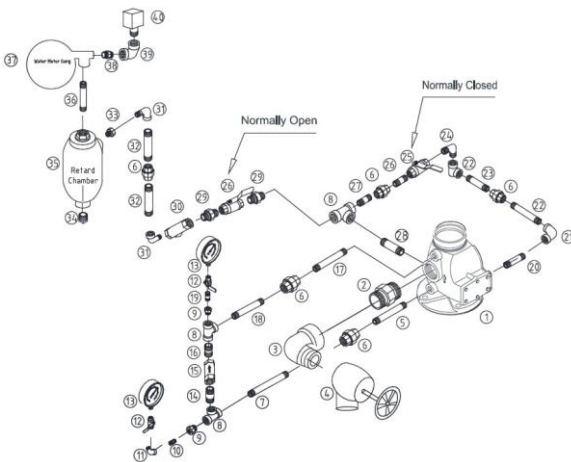
- Internally and externally fusion bonded epoxy powder coated (FBE).



Dimensions (mm)

Size		DN80(3")	DN100(4")	DN150(6")	DN200(8")
L	(mm)	257	270	340	432
	(Inch)	10.12	10.63	13.39	17.01

Schematic of Valve with Accessories



Part No.	Specification	Material	Part No.	Specification	Material
1	Valve	See Above	21	1/2" 90° Elbow	Malleable Iron
2	2" NPT Pipe Fitting	Malleable Iron	22	1/2" NPT Screwed Pipe	Carbon Steel
3	2" NPT Street Elbows	Malleable Iron	23	1/2" NPT Screwed Pipe	Carbon Steel
4	2" Angle Valve	Brass	24	1/2" 90° Elbow	Malleable Iron
5	1/2" NPT Screwed Pipe	Carbon Steel	25	1/2" Ball Valve	Brass
6	1/2" Cone Union	Malleable Iron	26	1/2" NPT Screwed Pipe	Carbon Steel
7	1/2" NPT Screwed Pipe	Carbon Steel	27	1/2" NPT Screwed Pipe	Carbon Steel
8	1/2" Straight Tees	Malleable Iron	28	1/2" NPT Screwed Pipe	Carbon Steel
9	1/2" x 1/4" Reducers	Malleable Iron	29	1-2" NPT Pipe Fitting	Malleable Iron
10	1/4" NPT Screwed Pipe	Carbon Steel	30	1-2" Y-Strainer	Brass
11	1/4" 90° Elow	Malleable Iron	31	1-2" 90° Street Elbow	Malleable Iron
12	1/4" Ball Valve	Brass	32	1/2" NPT Screwed Pipe	Carbon Steel
13	Pressure Gauge		33	Pipe Fitting	AISI 304
14	1/2" NPT Screwed Pipe	Carbon Steel	34	Plug 1	Brass
15	1/2" Check Valve	Brass	35	Plug 2	Brass
16	1/2" NPT Screwed Pipe	Carbon Steel	36	3/4" NPT Screwed Pipe	Carbon Steel
17	1/2" NPT Screwed Pipe	Carbon Steel	37	Water Motor Gong	
18	1/2" NPT Screwed Pipe	Carbon Steel	38	3/4" NPT Screwed Pipe	Carbon Steel
19	1/2" NPT Screwed Pipe	Carbon Steel	39	3/4" x 1/2" 90° Reducing Elbow	Malleable Iron
20	1/2" NPT Screwed Pipe	Carbon Steel	40	Pressure Switch	

The designs, materials and specifications shown are subject to change without notice due to the continuous development of our products.